

FLOOREQUIPMENT**PARTS.COM**

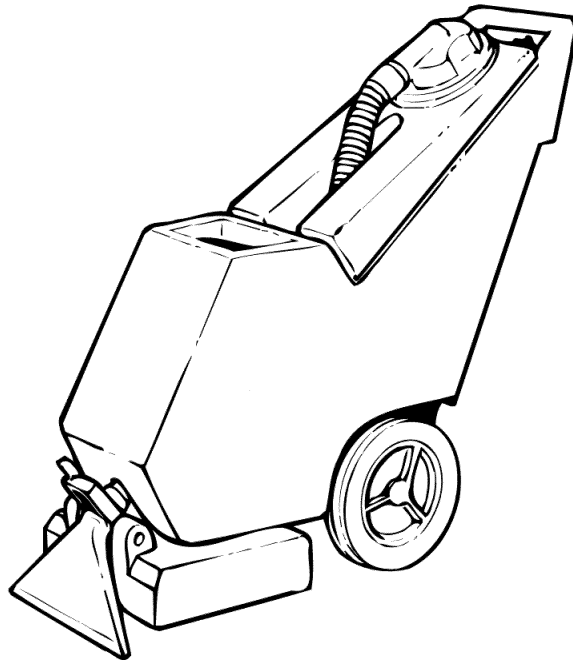


1220

Self-Contained Carpet Extractor

Model No.:
607853

Operator and Parts Manual

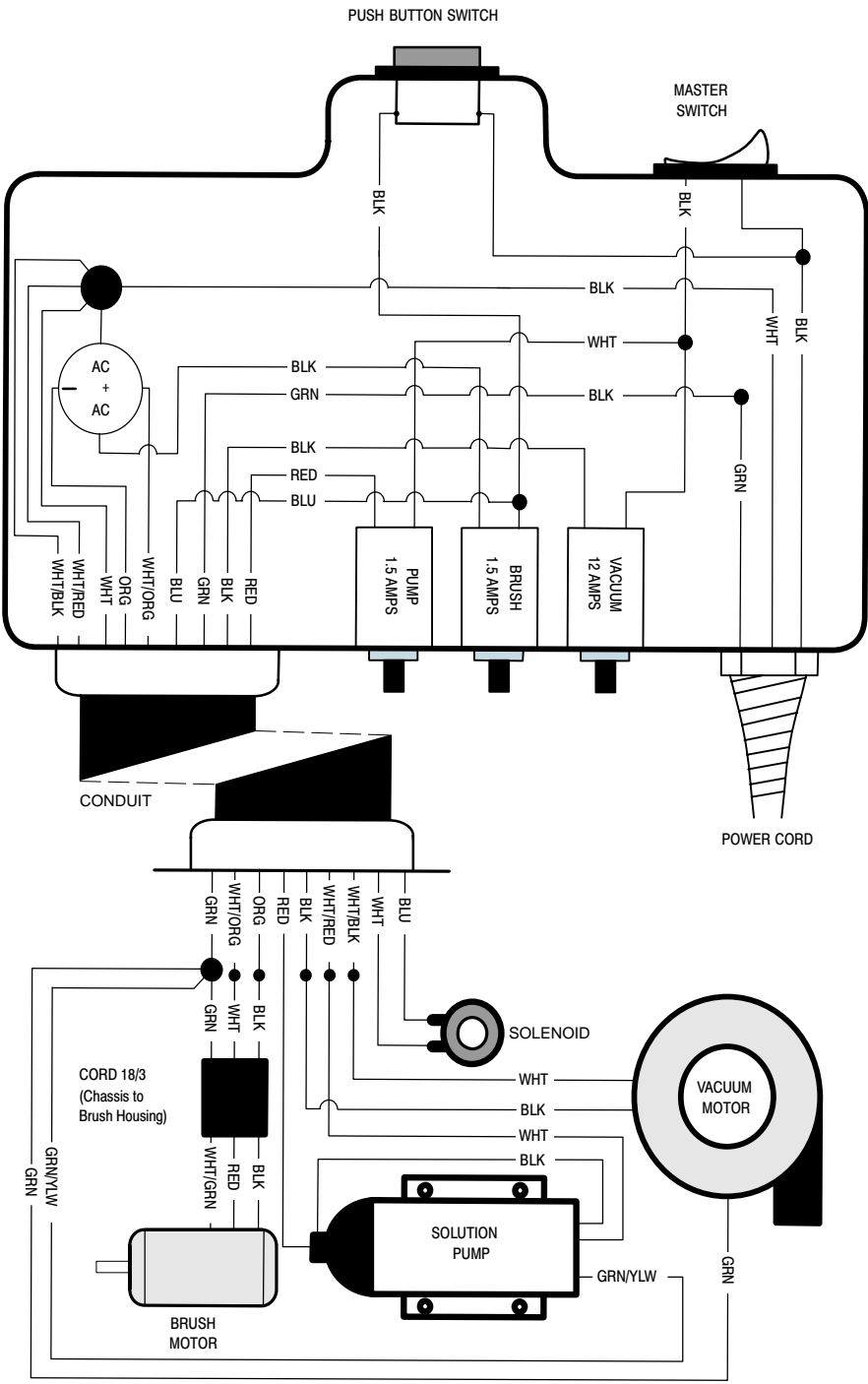


TENNANT COMPANY
Commercial Products
12875 RANSOM STREET
HOLLAND MI 49424 U.S.A.

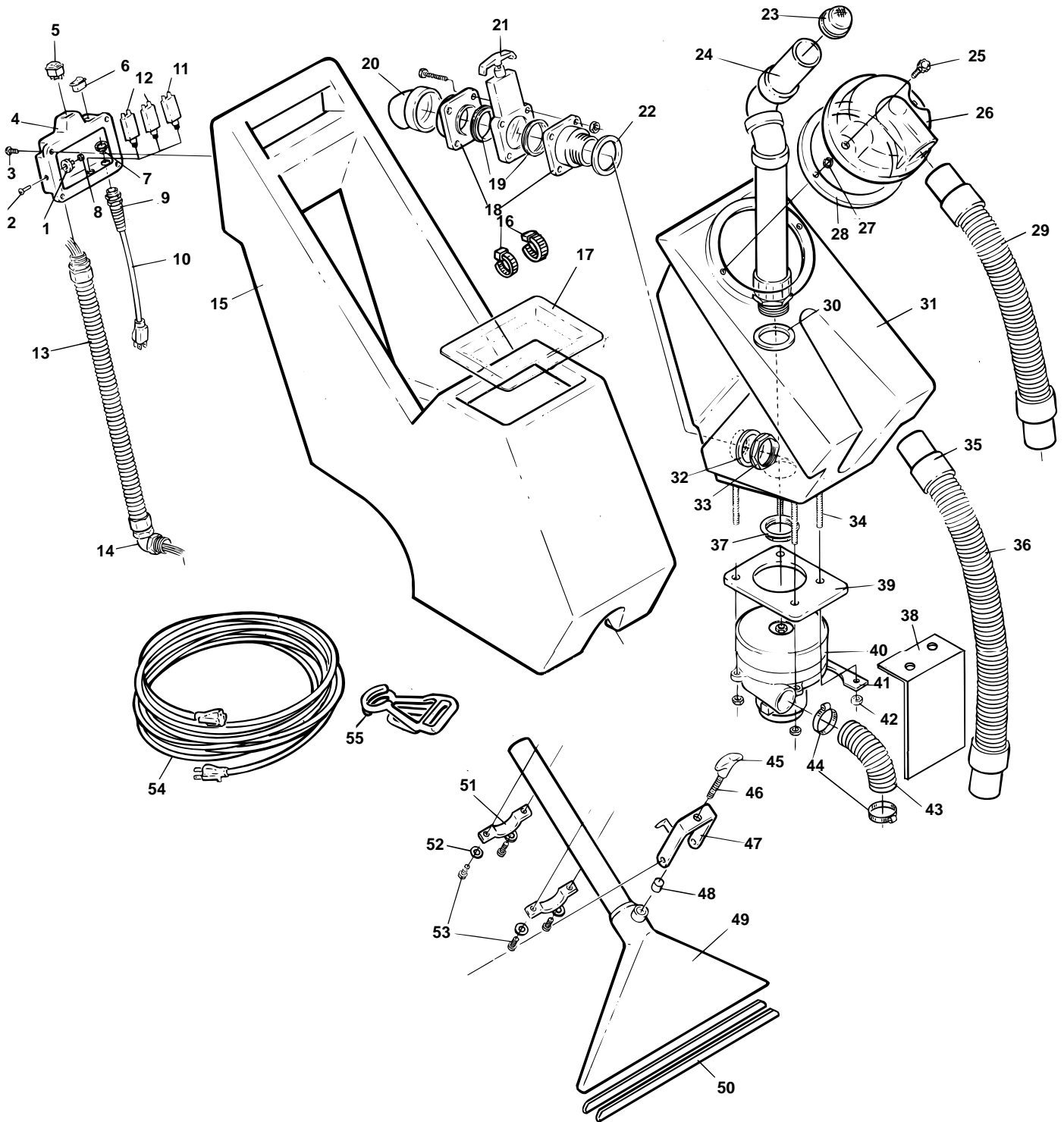
FAX: 1-800-678-4240
CUSTOMER SERVICE: 1-800-982-7658

607860
Rev. 00 (11-99)

120V



TANK GROUP



TANK GROUP

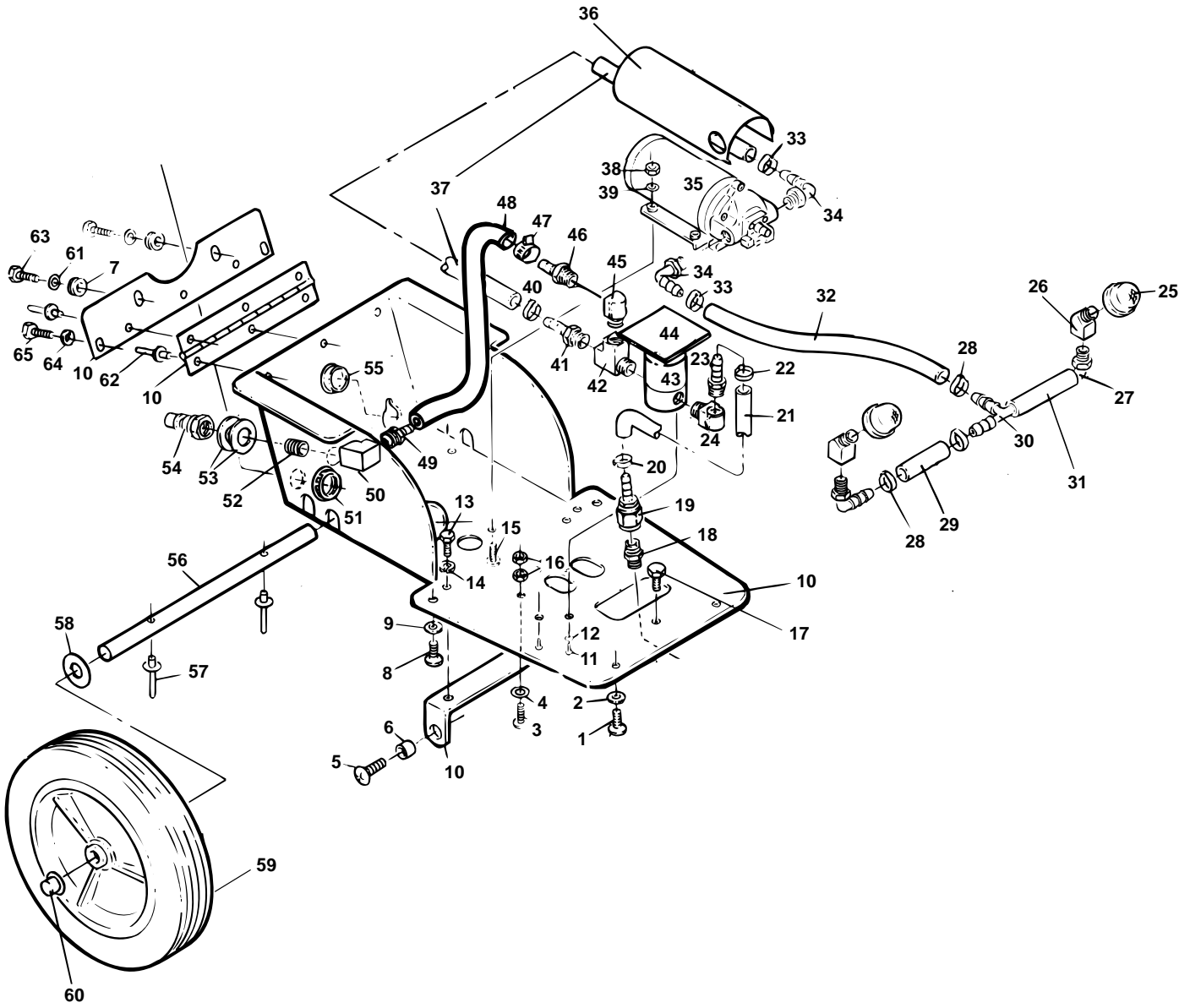
REF	PART #	DESCRIPTION	QTY.
1	130304	RECTIFIER	1
2	140879	SCREW, 6-32 X 3/4	1
3	140889	SCREW, 1/4-20 X 3/4	4
4	607852	SWITCHBOX, TEAL	1
5	130441	SWITCH, 120 VOLT	1
6	130717	SWITCH, ROCKER	1
7	140549	NUT, LOCK 3/8 CONDUIT	1
8	140534	NUT, NYLON 6-32	1
9	130166	CORD GRIP	1
10	130237	CORD, 16/3 X 18" YELLOW	1
11	130670	BREAKER, CIRCUIT, 12 AMP	1
12	130760	BREAKER, CIRCUIT, 1.5 AMP	2
13	130977	HARNESS, WIRE	1
14	130242	FITTING, ELBOW 1/2"	1
15	607855	TANK, SOLUTION, TEAL	1
16	130040	WIRE TIE, NYLON	2
17	230500	COVER, DUST	1
18	210242	VALVE, DRAIN W/ METAL HANDLE, NO SPOUT	1
19	210239	VALVE, DRAIN GATE SEAL (REQUIRES 2)	2
20	210232	DOWNSPOUT, DRAIN VALVE	1
21	210237	HANDLE, METAL - DRAIN VALVE	1
22	210234	GASKET, DRAIN VALVE	1
23	180612	SCREEN, STANDPIPE	1
24	700144	STANDPIPE ASSEMBLY	1
25	240217	KNOB, RECOVERY DOME	2
26	100112	DOME, RECOVERY	1
27	140037	WASHER, NYLON SPLIT LOCK	2
28	100042	GASKET, RECOVERY DOME	1
29	160421	HOSE, VAC. 1 1/2" X 19-1/8 W/ CUFFS	1

REF	PART #	DESCRIPTION	QTY.
30	230159	O-RING, STANDPIPE	1
31	607857	TANK, RECOVERY, OFF-WHITE	1
32	101714	GASKET, WASTE CHAMBER	1
33	210240	NUT, METAL DRAIN VALVE	1
34	140238	STUD, 1/4-20 X 5 ZINC	4
35	160430	HOSE CUFF, 1-1/2 X 1-1/2	2
36	160423	HOSE, VACUUM 1-1/2 X 36" (CLEANOUT)	1
37	210240	NUT, METAL DRAIN VALVE	1
38	230503	SHIELD, VACUUM	1
39	100037	GASKET, VACUUM MOTOR	1
40	130416	MOTOR, VACUUM 5.7", 3 STAGE, 120 VOLT	1
	190160	CARBON BRUSH (2/PK)	2
41	230237	BRACKET, SUPPORT	1
42	140501	NUT, LOCK - NYLOCK INSERT	4
43	160838	HOSE, EXHAUST 2" X 24"	1
44	140308	CLAMP, HOSE	2
45	240194	KNOB, HEIGHT ADJUSTMENT	1
46	230382	STUD, HEIGHT ADJUSTMENT	1
47	230638.BK	BRACKET, HEIGHT ADJUSTMENT	1
48	140919	SPACER, NYLON	1
49	200450.BK	TOOL, FLOOR, 16" BLACK	1
50	200956	SHOE, 16" FLOOR TOOL	2
51	140313	CLAMP, FLOOR TOOL	2
52	140016	WASHER, LOCK 1/4"	4
53	140554	SCREW, HEX CAP 1/4-20 X 3/4	4
54	130250	CORD, EXTENS. 16/3 X 50 FT YELLOW	1
55	130176	BELT CLIP ONLY, YELLOW	1

DECAL LIST (not shown)

REF	PART #	DESCRIPTION	QTY.
N/S	608136	DECAL, TENNANT LOGO	1
N/S	608158	DECAL, 1220	2
N/S	120399	DECAL, DO NOT ALLOW FOAM	1
N/S	120617	DECAL, HEIGHT ADJUSTMENT	1
N/S	602505	DECAL, INSTRUCTION	1
N/S	120906	DECAL, IMPORTANT - DRAIN	1
N/S	120619	DECAL, WARNING - EXTRACTORS	1

CHASSIS GROUP

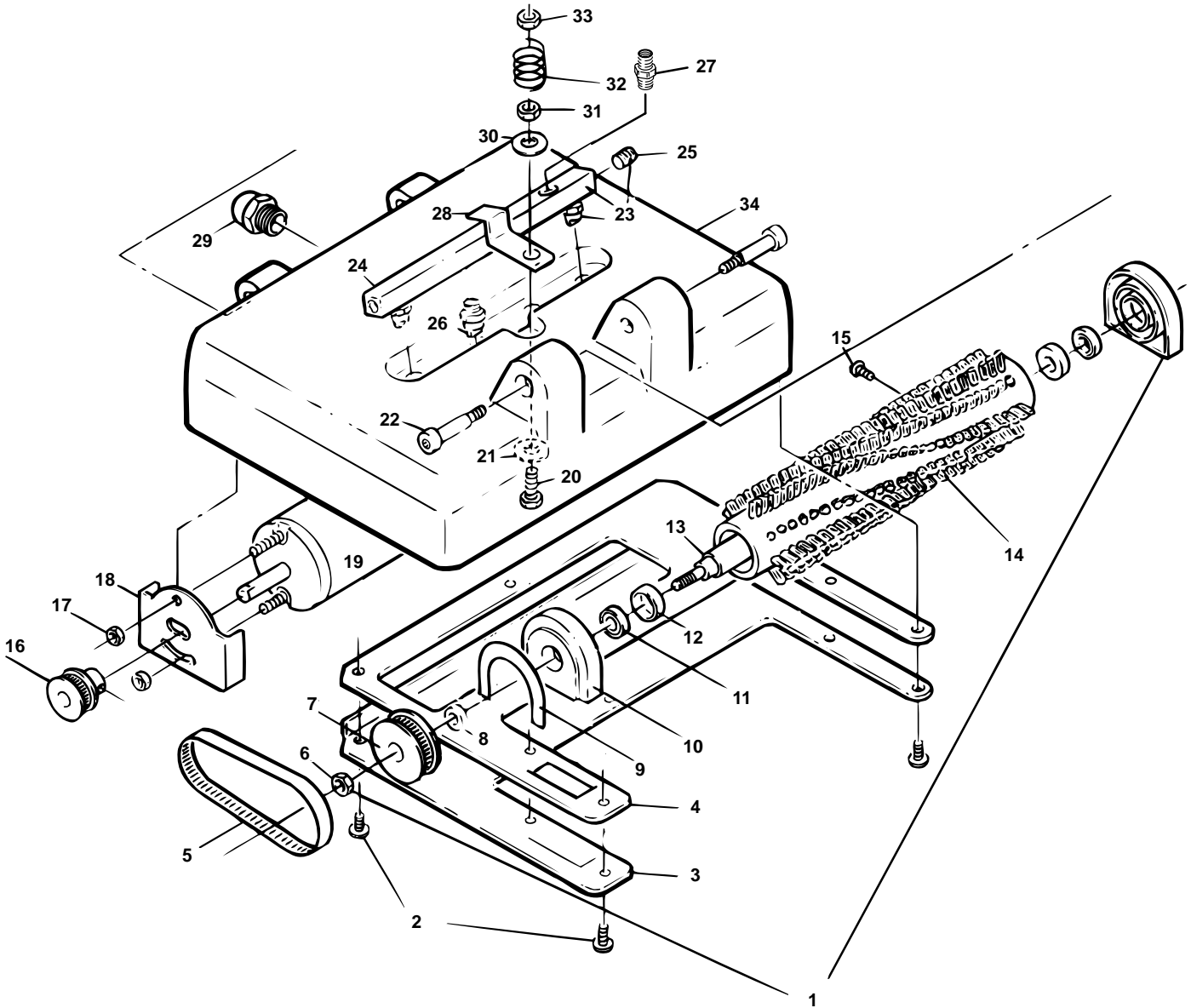


CHASSIS GROUP

REF	PART #	DESCRIPTION	QTY.
1	140553	SCREW, HEX CAP 1/4-20 X 1/2	2
2	140052	WASHER, EXT LOCK TOOTH	8
3	140891	SCREW, 10-24 X 5/8	1
4	140031	WASHER, EXT LOCK TOOTH	1
5	140898	SCREW, 3/8-16 X 3/4	2
6	140914	SPACER, NYLON .375IDX.5X.25	2
7	180131	GROMMET, RUBBER	2
8	140553	SCREW, HEX CAP 1/4-20 X 1/2	2
9	140052	WASHER, EXT LOCK TOOTH	2
10	230301.BK	CHASSIS, HINGED, BLACK	1
11	140801	SCREW, 8-32 X 3/8	2
12	140023	WASHER, INT LOCK TOOTH	1
13	140553	SCREW, HEX CAP 1/4-20 X 1/2	2
14	140016	WASHER, LOCK 1/4"	2
15	140804	SCREW, 10-24 X 1	2
16	140519	NUT, KEP 10-24	2
17	140200	SCREW, HEX CAP 3/8-16 X 1/2	1
18	150616	ADAPTER, BRASS 1/8 X 1/4, 37° TUBE	1
19	150526	HOSE BARB, BRASS 1/8 NPT X 1/4	1
20	140325	CLAMP, EAR 1/4	1
21	607307	HOSE, 1/4" X 12"	1
	160510	HOSE GUARD 1/4" X 10"	1
22	140325	CLAMP, EAR 1/4	1
23	150515	HOSE BARB, 1/4 MPT X 1/4 H	1
24	150406	ELBOW, 90° , 1/4 FPT X 1/4 MPT	1
25	180628	SCREEN, SOLUTION TANK	2
26	150403	ELBOW, 45°	2
27	150415	ELBOW, 90° NYL 1/4 MPT X 3/8	2
28	140301	CLAMP, PINCH	5
29	607412	HOSE, 3/8" X 2"	1
30	160310	TEE, 3/8 HOSE BARB, NYLON	1
31	607415	HOSE, 3/8" X 4"	1
32	606163	HOSE, 3/8" X 22"	1
33	140310	CLAMP, HOSE	2
34	150412	ELBOW, 90° NYL 3/8 MPT X 3/8	2

REF	PART #	DESCRIPTION	QTY.
35	180103	PUMP, SHURFLO 100 PSI, 120 VOLT	1
36	230508	SHIELD, PUMP	1
37	160570	HOSE, 3/8" X 11" 609432	1
	160570	HOSE GUARD 3/8" X 11" 613508	1
38	140519	NUT, KEP 10-24	2
39	140012	WASHER, FLAT 3/16"	2
40	140301	CLAMP, PINCH	6
41	150516	HOSE BARB, BRASS 1/4 MPT X 3/8	2
42	150709	TEE, STR 1/4FPTX1/4FPTX1/4MPT	1
43	210033	VALVE, SOLENOID, 120 VOLT, 60HZ	1
44	230509	SHIELD, SOLENOID	1
45	150406	ELBOW, STR-90° 1/4FPTX1/4MPT	1
46	150517	HOSE BARB, BRASS, 1/4MPTX1/2	2
47	140310	CLAMP, HOSE	2
48	606162	HOSE, 1/2" X 26"	1
	460209	HOSE GUARD, 1/2" X 25" 613507	1
49	150517	HOSE BARB, BRASS, 1/4MPTX1/2	2
50	150401	ELBOW, 90° , 1/4FPTX1/4FPT	1
51	130977	HARNES, WIRING	1
52	150615	NIPPLE, BRASS 1/4" CLOSE	1
53	140033	WASHER, FLAT 1/2" USS-BLUE	2
54	150933	PLUG, QCK CPLR SER. 60 FPT	1
55	130104	BUSHING, SNAP .875 ID - BLACK	1
56	230294	AXLE, HINGED	1
57	140705	RIVET, POP	2
58	140008	WASHER, FLAT	2
59	1038395	WHEEL, 10" X 1.75 GRAY	2
60	103019	CAP, HUB	2
61	140010	WASHER, FLAT 1/4" SAE	2
62	140701	RIVET, POP	6
63	140554	SCREW, HEX 1/4-20 X 3/4	2
64	140016	WASHER, LOCK 1/4"	2
65	140554	SCREW, HEX 1/4-20 X 3/4	2

BRUSH GROUP



BRUSH GROUP

1019015

REF	PART #	DESCRIPTION	QTY.
1	700212	BRUSH ASM, 16" COMPLETE	1
2	140887	SCREW, 10-24 X 3/8	10
3	100734.BK	PLATE, BRUSH, 16"	1
4	100006	GASKET, BASE PLATE	1
5	230507	BELT, BRUSH DRIVE	1
6	140548	NUT, FINJAM 5/16	1
7	230505	PULLEY, BRUSH W/ SCREW	1
8	230363	SPACER, BRUSH, .625OD X .328ID X .125	1
9	100005	GASKET, BEARING BLOCK	1
10	230261	BLOCK, BEARING	2
11	140125	BEARING, BRUSH	2
12	100049	SEAL, BRUSH BEARING	2
13	230257	SHAFT, BRUSH, (16")	1
14	240004	BRUSH, CYLINDER, (16")	1
15	140554	SCREW, HEX CAP 1/4-20 X 3/4	4
16	230506	PULLEY, MOTOR W/ SCREW	1
17	140518	NUT, KEP 10-32	2
18	230366	PLATE, MOTOR MOUNT	1

REF	PART #	DESCRIPTION	QTY.
19	130474	MOTOR, BRUSH DRIVE 120 VOLT	1
20	140233	SCREW, HEX CAP 3/8-16 X 1-3/4	1
21	140036	WASHER, FLAT 3/8	2
22	140564	BOLT, SHOULDER 3/8 X 3/4	2
∇23	700860	SPRAYBAR 16" COMPL.	1
▲24	230267	SPRAYBAR MANIFOLD, 16"	1
▲25	150208	PLUG, BRASS HEX HEAD 1/8	3
▲26	201001	NOZZLE, 1/8" BRASS, NO SCREEN	4
▲27	150616	FITTING, 1/8 NPT X 1/4	1
28	270264.BK	CLAMP, SPRAYBAR MANIFOLD	1
29	130671	CORD, ASM, 18/3X24", BLACK W/ CORD GRIPS	1
30	140036	WASHER, FLAT	2
31	140515	NUT, LOCK NYL INSERT 3/8-16	1
32	140407	SPRING, .845 OD	1
33	140515	NUT, LOCK NYL INSERT 3/8-16	1
34	607864	HOUSING, BRUSH 16" TEAL	1

∇ ASSEMBLY

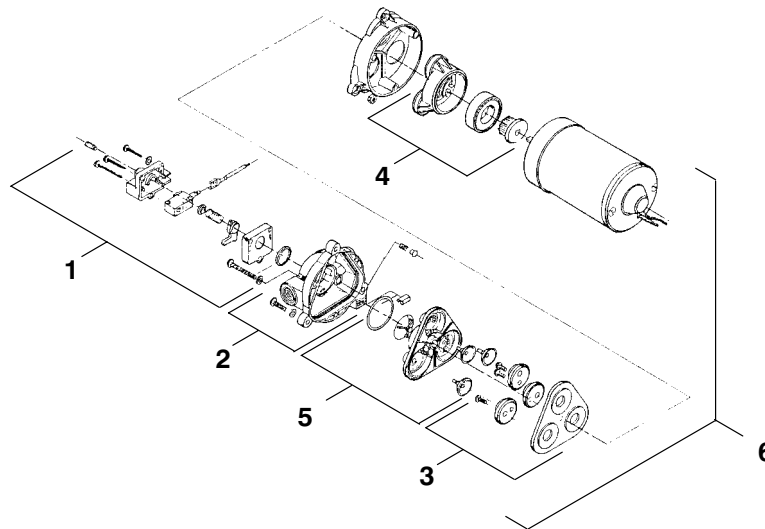
▲ INCLUDED IN ASSEMBLY

201010 Assembly, Spray Tip Complete

201012 Spray Tip only

201015 Seal, Spray Nozzle

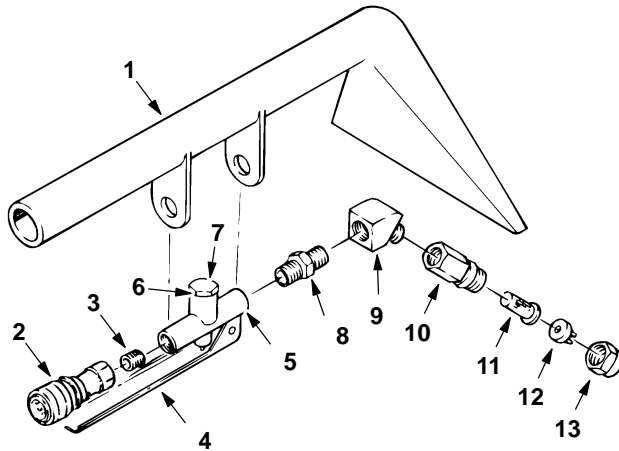
SOLUTION PUMP BREAKDOWN



REF	PART #	DESCRIPTION	QTY.
1	190129	PRESSURE SWITCH	1
2	190128	UPPER PUMP HOUSING KIT	1
3	190131	SERVICE KIT	1

REF	PART #	DESCRIPTION	QTY.
4	190130	LOWER PUMP HOUSING KIT	1
5	190171	KIT, PUMP VALVE (VITON)	1
6	180103	SOLUTION PUMP 100 PSI (COMP.)	1

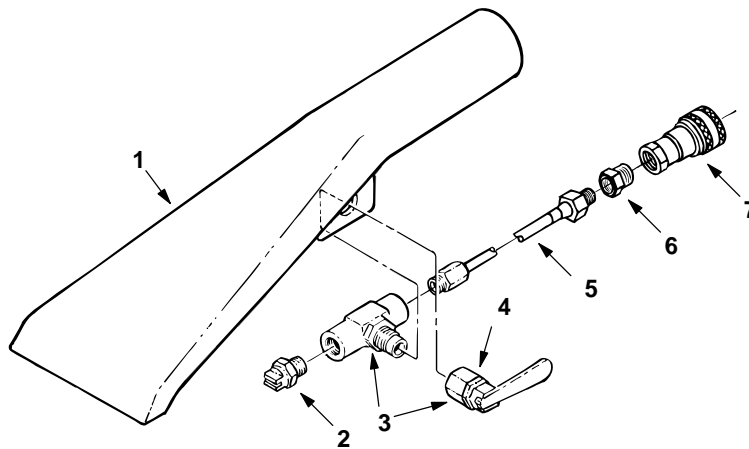
127mm (5 in) HAND TOOL



REF	PART #	DESCRIPTION	QTY.
	200505	TOOL, HAND (COMPLETE)	1
1	200431.BK	TOOL, HAND	1
2	150913	COUPLER, QUICK	1
3	150615	NIPPLE, CLOSE	1
4	200905	TRIGGER, HAND TOOL	1
5	210210	VALVE, FLOW CONTROL	1
6	190600	PIN & SPRING, VALVE	1

REF	PART #	DESCRIPTION	QTY.
7	N/A	CAP, VALVE	1
8	150606	NIPPLE, HEX 1/4	1
9	150403	ELBOW, ST 1/4 45°	1
10	200992	BODY, SPRAY 1/4F	1
11	200996	SCREEN, SPRAY NOZZLE	1
12	200965	TIP, SPRAY #8002	1
13	200994	CAP, SPRAY BODY	1

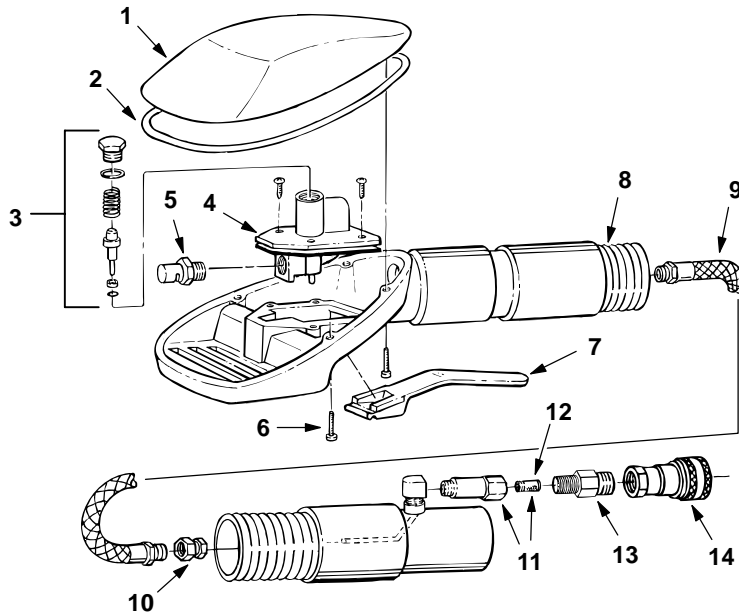
CREVICE TOOL



REF	PART #	DESCRIPTION	QTY.
	200517	TOOL, CREVICE (COMPLETE)	1
1	200436.BK	TOOL	1
2	200975	NOZZLE	1
3	210014	VALVE, TOGGLE	1
4	210020	CAP, VALVE POSITIONER	1

REF	PART #	DESCRIPTION	QTY.
5	160106	HOSE, ASM.	1
6	150100	FITTING, 1/4MX1/8F	1
7	150913	COUPLER	1

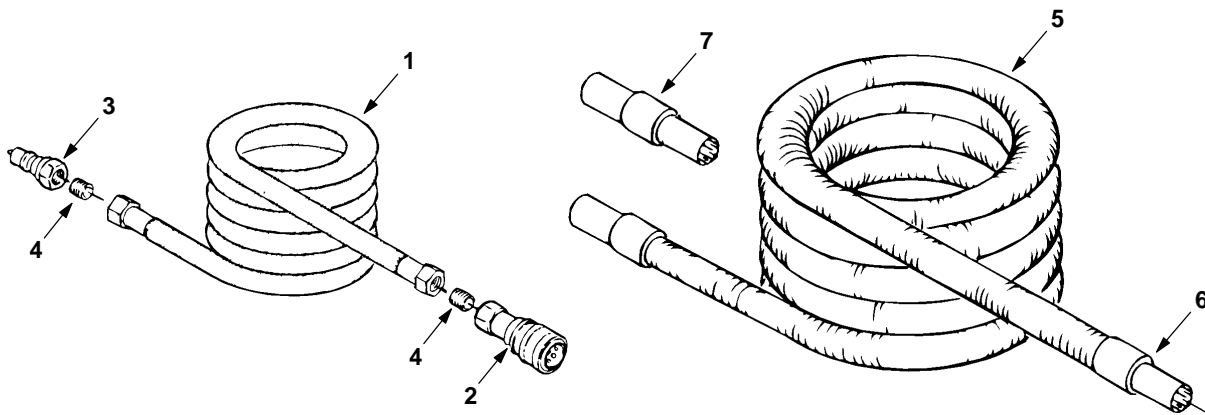
UPHOLSTERY TOOL



REF	PART #	DESCRIPTION	QTY.
	200540	TOOL, UPHOL. (COMPLETE)	1
1	200845	COVER	1
2	200843	GASKET	1
3	190631	KIT, VALVE ASM.	1
4	210226	VALVE, LP	1
5	200991	NOZZLE	1
6	200838	SCREW	4
7	200840	TRIGGER	1

REF	PART #	DESCRIPTION	QTY.
8	200844	HOSE, VACUUM	1
9	200837	HOSE, SOLUTION	1
10	200848	FITTING	1
11	200842	FILTER	1
12	200841	SCREEN, FILTER	1
13	150606	FITTING, 1/4MX1/4M	1
14	150913	COUPLER	1

SOLUTION AND VACUUM HOSES

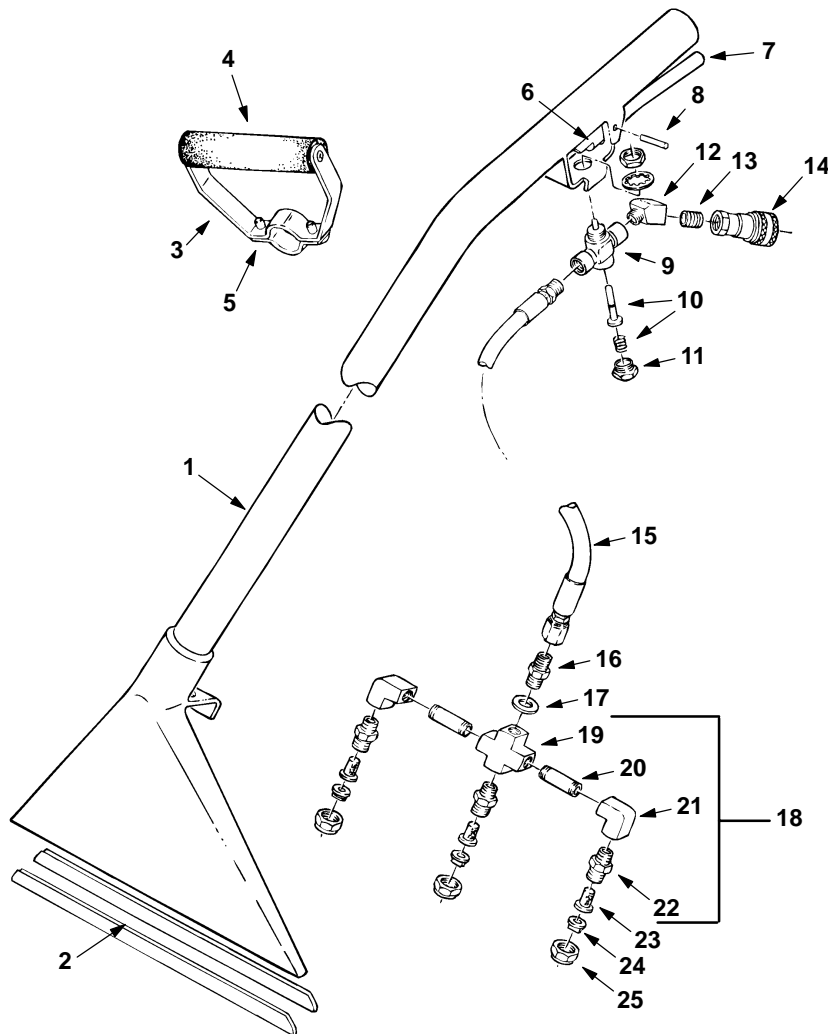


REF	PART #	DESCRIPTION	QTY.
▽1	160185	HOSE, SOLUTION 15'	1
▲2	150913	COUPLER, QUICK	1
▲3	150933	PLUG, QUICK COUPLER	1
▲4	150615	NIPPLE	2

REF	PART #	DESCRIPTION	QTY.
▽5	160400	HOSE, VACUUM 15'	1
▲6	160430	CUFF, HOSE 1-1/2"	2
7	160451	CONNECTOR, VAC HOSE	1

▽ ASSEMBLY
 ▲ INCLUDED IN ASSEMBLY

330mm (13 in) FLOOR TOOL



REF	PART #	DESCRIPTION	QTY.
	600048	FLOOR TOOL (COMPLETE)	1
1	200403.BK	TOOL, FLOOR	1
2	200939	SHOES, S/S	2
∇3	200927	ASM., GRIP, ADJ.	1
▲4	200912	FOAM, GRIP	1
▲5	140259	SCREW, 1/4X3/4	2
6	200902	TRIGGER	1
7	200809	SLEEVE, TRIGGER	1
8	140605	PIN	1
8	140520	NUT, PUSH (NOT SHOWN)	2
9	210150	VALVE, FLOW CONTROL	1
10	190603	KIT, VALVE PIN & SPRING	1
11	N/A	CAP, HEX, VALVE	1
12	150403	ELBOW, 1/4-45°	1
13	150615	NIPPLE, CLOSE 1/4	1

REF	PART #	DESCRIPTION	QTY.
14	150913	COUPLER, QUICK	1
15	160170	HOSE, SOLUTION, LP	1
16	150606	NIPPLE, HEX 1/4"	1
17	140058	WASHER	1
∇18	700062	ASM., SPRAY BAR	1
▲19	150700	CROSS, FITTING	1
▲20	150600	NIPPLE	2
▲21	150401	ELBOW, 90° 1/4FX1/4F	2
▲22	200993	SPRAY BODY	3
23	200996	SCREEN, SPRAY BODY	3
24	200964	TIP	3
25	200994	CAP, SPRAY BODY	3

∇ ASSEMBLY

▲ INCLUDED IN ASSEMBLY